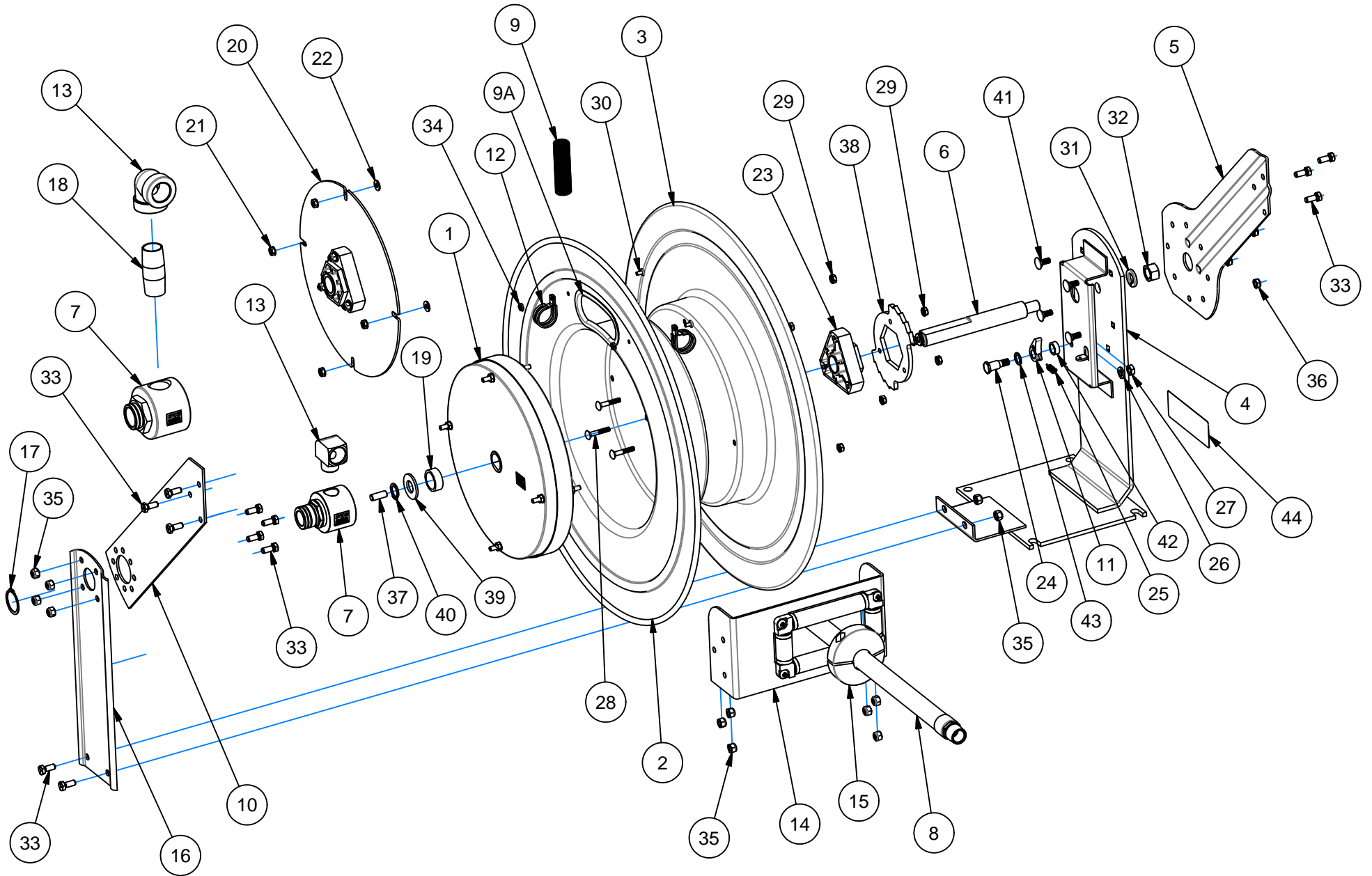


EXP-20

REVISION: S
ECO NO.: 2567
BY: G. REEDER
DATE: 12/13/07

COXREELS SERIES T



ITEM	PART	DESCRIPTION	QTY
23	1776-3	ASSEMBLY: 1" HUB BEARING	1
24	1620	BOLT: SHOULDER, ½"x1½"	1
25	274-1-SS	SPRING: LOCK DOG	1
26	437	WASHER: 3/8" LOCK	1
27	184	NUT: 3/8-16 JAM	1
28	1953	BOLT: 1/4-20 x 1 1/2" CARRIAGE	3
29	125	NUT: 1/4-20 KEPS	7
30	245	SCREW: #10-32 x 3/8"	2
31	438	WASHER: 5/8" LOCK	1
32	3584	NUT: 5/8-11 HEX	1
33	312	BOLT: 5/16-18 x 3/4" HEX	12

ITEM	PART	DESCRIPTION	QTY
34	130	NUT: 10-32 KEPS	2
35	111	NUT: 5/16-18 NYLOCK	12
36	111-1	NUT:5/16-18 NYLOCK (LOW PROFILE)	4
37	10235-SS	STUD: 3/8-16 x 1" SS	1
38	1924	RING: LOCKING	1
39	1755-1	WASHER: SPACER	1
40	1753	RING: #5160-75 RETAINING	1
41	10220-75	BOLT: 5/16"-18 x 3/4" CARRIAGE	4
42	6440-SS	WASHER: SPACER SS	1
43	6441-1	WASHER: SPACER	1
44	10925-5	LABEL: STANDARD PRODUCT	1

ITEM NUMBER

MODEL	ITEM NUMBER																									
	1	2	3	4	5	6	7	* 8	* 9	9A	10	11	12	13	14	* 15	16	17	18	19	20	21	22			
	SPRING	DRUM	DRUM	BASE	ARM	AXLE	SWIVEL	HOSE (STD)	HOSE (-OG)	HOSE (-RH)	GUARD	TRIM	ARM	L. CAM	CLAMP (2)	ELBOW	BRKT.	BALL ST	SUPP.	R.RING	NIPPLE	SPACER	SUPP. BRG.	NUT (4)	WASHER (4)	
TSH-N-350	690-2	1703	1702	1784	1732	1794	433	5153-50	5101-50	5045-50	237-1	-	1827	640-1-SS	381	-	1829-1	131-3	1740	1754	-	7511	-	-	-	
TSH-N-375	698-1	1705	1704	1786	1733	1794	433	5153-75	5101-75	5045-75	237-1	-	1825	640-1-SS	381	-	1829-1	131-3	1741	1754	-	7511	-	-	-	
TSH-N-3100	698-2	1705	1704	1786	1733	1794	433	5153-100	5101-100	5045-100	237-1	-	1825	640-1-SS	381	-	1829-1	131-3	1741	1754	-	7511	-	-	-	
TSH-N-3125	652	1705	1704	1786	1733	1794	433	5153-125	5101-125	5045-125	237-1	-	1825	640-1-SS	381	-	1829-1	131-3	1741	1754	-	-	-	-	-	
TSH-N-450	691-3	1703	1702	1784	1732	1794	434	5154-50	5131-50	5066-50	398-1	-	1827	640-1-SS	382	-	1829-1	131-4	1740	1754	-	7511	-	-	-	
TSH-N-475	692-2	1705	1704	1786	1733	1794	434	5154-75	5131-75	5066-75	398-1	-	1825	640-1-SS	382	-	1829-1	131-4	1741	1754	-	-	-	-	-	
TSH-N-4100	656	1705	1704	1786	1733	1794	434	5154-100	5131-100	5066-100	398-1	-	1825	640-1-SS	382	-	1829-1	131-4	1741	1754	-	-	-	-	-	
TSH-N-535	695-1	1705	1704	1786	1733	1794	426	5155-35	5163-35	5091-35	398-1	-	1825	640-1-SS	384	385	8740	430	1712	516	-	7511	-	-	-	
TSHF-N-535	695-1	1705-1	1704	1786	1733	1794	426	5097-35	-	-	-	7460-8	1825	640-1-BR	384	385	8740	430	1712	516	-	7511	-	-	-	
TSH-N-550	692-1	1705	1704	1786	1733	1794	426	5155-50	5163-50	5091-50	398-1	-	1825	640-1-SS	384	385	8740	430	1712	516	-	-	-	-	-	
TSHF-N-550	692-1	1705-1	1704	1786	1733	1794	426	5097-50	-	-	-	7460-8	1825	640-1-BR	384	385	8740	430	1712	516	-	-	-	-	-	
TSH-N-575	8729-1	7238-1	7239	8726	1733	8728	426	5155-75	5163-75	5091-75	-	7460-13	1825	640-1-SS	384	385	8731	430	1712	516	-	-	8724	125	688	
TSHF-N-575	8729-1	7238-1	7239	8726	1733	8728	426	5097-75	-	-	-	7460-13	1825	640-1-BR	384	385	8731	430	1712	516	-	-	8724	125	688	
TSH-N-635	649	7238	7239	7237	1733	1794	7231-1	5096-35	-	-	-	7460-13	7232	640-1-SS	397	15338-G	8737	20214	7233	7241	7240	-	-	-	-	
TSHF-N-635	649	7238	7239	7237	1733	1794	7231-1	5092-35	-	-	-	7460-13	7232	640-1-BR	397	15338-G	8737	20214	7233	7241	7240	-	-	-	-	
TSH-N-650	8729	7238-1	7239	8726	1733	8728	7231-1	5096-50	-	-	-	7460-13	7232	640-1-SS	397	15338-G	8731	20214	7233	7241	7240	-	-	8724	125	688
TSHF-N-650	8729	7238-1	7239	8726	1733	8728	7231-1	5092-50	-	-	-	7460-13	7232	640-1-BR	397	15338-G	8731	20214	7233	7241	7240	-	-	8724	125	688

ITEM NUMBER

MODEL	ITEM NUMBER																							
	1	2	3	4	5	6	7	* 8	* 9	9A	10	11	12	13	14	* 15	16	17	18	19	20	21	22	
	SPRING	DRUM	DRUM	BASE	ARM	AXLE	SWIVEL	HOSE (STD)	GUARD	TRIM	ARM	L. CAM	CLAMP (2)	ELBOW	BRKT.	BALL ST	SUPP.	R.RING	NIPPLE	SPACER	SUPP. BRG.	NUT (4)	WASHER (4)	
TMP-N-350	699-1	1703	1702	1784	1732	1794	433	5224-50	237-1	-	1827	640-1-SS	381	-	1829-1	131-3	1740	1754	-	7511	-	-	-	-
TMP-N-375	656	1705	1704	1786	1733	1794	433	5224-75	237-1	-	1825	640-1-SS	381	-	1829-1	131-3	1741	1754	-	-	-	-	-	-
TMP-N-3100	657	1705	1704	1786	1733	1794	433	5224-100	237-1	-	1825	640-1-SS	381	-	1829-1	131-3	1741	1754	-	-	-	-	-	-
TMP-N-450	649	1703	1702	1784	1732	1794	434	5256-50	398-1	-	1827	640-1-SS	383	-	1829-1	131-4	1740	1754	-	-	-	-	-	-
TMP-N-475	656	1705	1704	1786	1733	1794	434	5256-75	398-1	-	1825	640-1-SS	383	-	1829-1	131-4	1741	1754	-	-	-	-	-	-
TMP-N-4100	658	1705	1704	1786	1733	1794	434	5256-100	398-1	-	1825	640-1-SS	383	-	1829-1	131-4	1741	1754	-	-	-	-	-	-
TMP-N-525	691-1	1703	1702	1784	1732	1794	426	5290-25	398-1	-	1827	640-1-SS	387	385	8740	430	1711	516	-	7511	-	-	-	-
TMP-N-535	654	1705	1704	1786	1733	1794	426	5290-35	398-1	-	1825	640-1-SS	387	385	8740	430	1712	516	-	-	-	-	-	-
TMP-N-550	654	1705	1704	1786	1733	1794	426	5290-50	398-1	-	1825	640-1-SS	387	385	8740	430	1712	516	-	-	-	-	-	-
TMP-N-575	8734-1	7238-1	7239	8726-1	1733	8733	426	5290-75	-	7460-13	1825	640-1-SS	387	385	8721	430	1712	516	-	-	8724	125	688	
TMP-N-650	8734	7238-1	7239	8726-1	1733	8733	7231-1	5093-50	-	7460-13	7232	640-1-SS	397	15348	8721	20214	7233	7241	-	-	8724	125	688	

ITEM NUMBER

MODEL	ITEM NUMBER																							
	1	2	3	4	5	6	7	* 8	* 9	9A	10	11	12	13	14	* 15	16	17	18	19	20	21	22	
	SPRING	DRUM	DRUM	BASE	ARM	AXLE	SWIVEL	HOSE (STD)	GUARD	TRIM	ARM	L. CAM	CLAMP (2)	ELBOW	BRKT.	BALL ST	SUPP.	R.RING	NIPPLE	SPACER	SUPP. BRG.	NUT (4)	WASHER (4)	
THP-N-150	647	1703	1702	1784	1732	1794	499	5304-50	237-1	-	1827	640-1-SS	115	-	1829-1	131	1740	1754	-	7511	-	-	-	-
THP-N-175	698-3	1705	1704	1786	1733	1794	499	5304-75	237-1	-	1825	640-1-SS	115	-	1829-1	131	1741	1754	-	7511	-	-	-	-
THP-N-1100	657	1705	1704	1786	1733	1794	499	5304-100	237-1	-	1825	640-1-SS	115	-	1829-1	131	1741	1754	-	-	-	-	-	-
THP-N-350	696-1	1703	1702	1784	1732	1794	521	5336-50	237-1	-	1827	640-1-SS	613	-	1829-1	131-3	1740	1754	-	-	-	-	-	-
THP-N-375	656	1705	1704	1786	1733	1794	521	5336-75	237-1	-	1825	640-1-SS	613	-	1829-1	131-3	1741	1754	-	-	-	-	-	-

* ON "LESS HOSE" MODELS (TSHL-/TMPL-/THPL-) EXCLUDE ITEMS #8, #9, AND #15.
 NOTE: MODELS SUPPLIED WITH "STANDARD" HOSE UNLESS SUFFIXED WITH "-OG" OR "-RH". USE HOSE NUMBERS AS NOTED ABOVE.

REEL ASSEMBLY REPORTS: R100 (LATCHOUT REMOVAL), R101 (LOCKING RING PLACEMENT), R112 (TIGHTENING AND TORQUING)

REVISION: S ECO: 2567 DATE: 12/13/07 NAME: G. REEDER